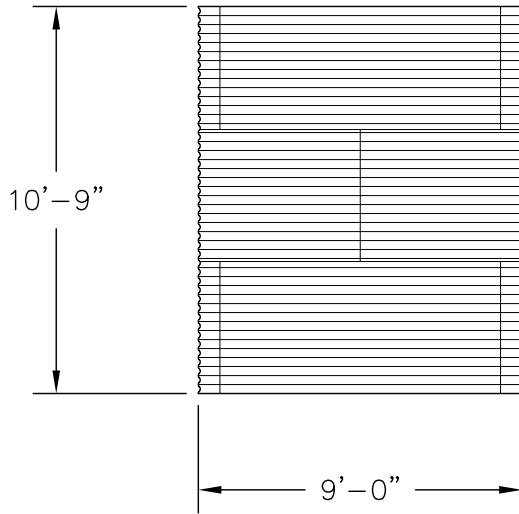



PLAN



ELEVATION

 WATER STORAGE TANKS, INC. 1-800-463-1898 www.corgaltanks.com		BY	DATE	TITLE	MODEL 0903-WT-SAP-LR CORGAL STEEL WATER STORAGE TANKTANK NOMINAL CAPACITY - 4,900 GALLONS (U.S.)		
	DWN	IU	7/3/08	DWG. NO.	0903-WT-SAP-LR REV. NO. A		
	CKD	JH	7/3/08	SIZE	SCALE	SHEET	OF
	ENG	JH	7/3/08	A	3/16"=1'-0"	1	1
THE DRAWING DEPICTED ON THIS PRINT AND THE INFORMATION CONTAINED HEREIN ARE PROPRIETARY TO Water Storage Tanks, Inc. AND SHALL NOT BE USED IN WHOLE OR PART WITHOUT THE WRITTEN CONSENT OF Water Storage Tanks, Inc.							