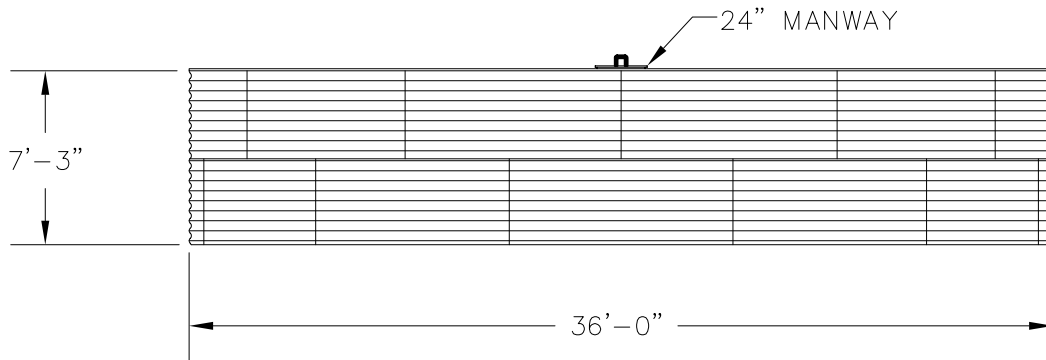



PLAN



ELEVATION

| | | | | | | |
|--|-----|------------|---------|--|----------|----------|
|  WATER STORAGE TANKS, INC. 1-800-463-1898 www.corgaltanks.com | | BY | DATE | TITLE | | |
| | DWN | RU | 7/30/08 | MODEL 3602-WT-SAP-CFR | | |
| | CKD | JH | 7/30/08 | CORGAL STEEL WATER STORAGE TANK | | |
| | ENG | JH | 7/30/08 | NOMINAL CAPACITY - 49,000 GALLONS (U.S.) | DWG. NO. | REV. NO. |
| THE DRAWING DEPICTED ON THIS PRINT AND THE INFORMATION CONTAINED HEREIN ARE PROPRIETARY TO Water Storage Tanks, Inc. AND SHALL NOT BE USED IN WHOLE OR PART WITHOUT THE WRITTEN CONSENT OF Water Storage Tanks, Inc. | | | | 3602-WT-SAP-CFR | A | |
| SIZE | | SCALE | | SHEET | | OF |
| A | | 1/8"=1'-0" | | 1 | | 1 |