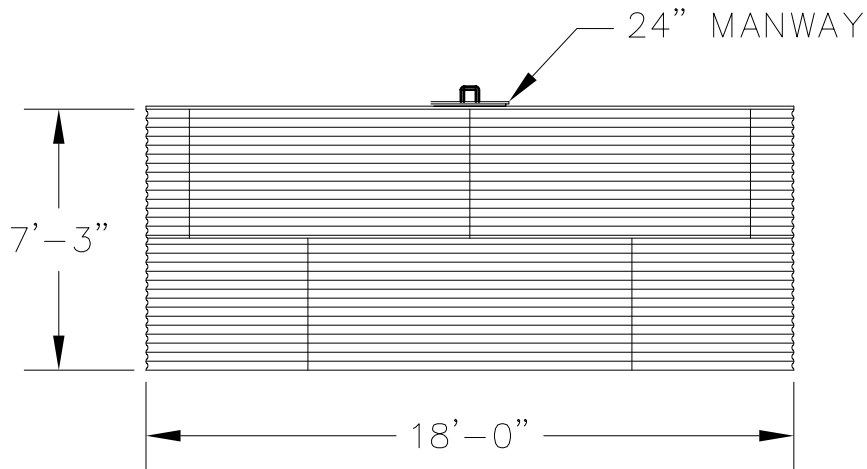



PLAN



ELEVATION

 WATER STORAGE TANKS, INC. 1-800-463-1898 www.corgaltanks.com		BY	DATE	TITLE			
	DWN	RU	8/5/08	MODEL 1802-WT-SAP-CFR COR GAL STEEL WATER STORAGE TANK NOMINAL CAPACITY - 13,000 GALLONS (U.S.)			
	CKD	JH	8/5/08	DWG. NO.	REV. NO.		
	ENG	JH	8/5/08	1802-WT-SAP-CFR	A		
THE DRAWING DEPICTED ON THIS PRINT AND THE INFORMATION CONTAINED HEREIN ARE PROPRIETARY TO Water Storage Tanks, Inc. AND SHALL NOT BE USED IN WHOLE OR PART WITHOUT THE WRITTEN CONSENT OF Water Storage Tanks, Inc.				SIZE	SCALE	SHEET	OF
				A	3/16"=1'-0"	1	1