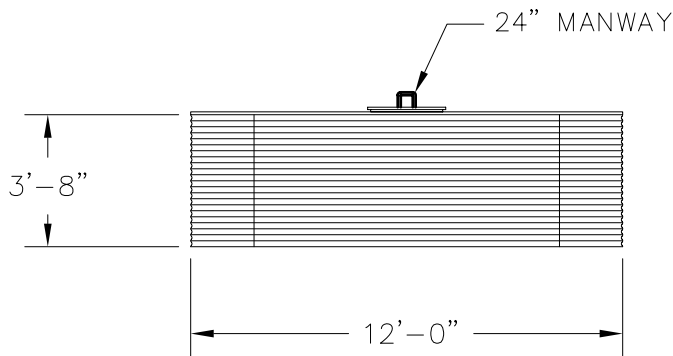



PLAN



ELEVATION

 <b>WATER STORAGE TANKS, INC.</b> 1-800-463-1898 www.corgaltanks.com		BY	DATE	TITLE			
	DWN	IU	7/8/08	MODEL 1201-WT-SAP-CFR CORGAL STEEL WATER STORAGE TANK NOMINAL CAPACITY - 2,700 GALLONS (U.S.)	DWG. NO.	REV. NO.	
	CKD	JH	7/8/08		1201-WT-SAP-CFR	A	
	ENG	JH	7/8/08		SIZE	SCALE	SHEET
THE DRAWING DEPICTED ON THIS PRINT AND THE INFORMATION CONTAINED HEREIN ARE PROPRIETARY TO Water Storage Tanks, Inc. AND SHALL NOT BE USED IN WHOLE OR PART WITHOUT THE WRITTEN CONSENT OF Water Storage Tanks, Inc.				A	3/16"=1'-0"	1	1