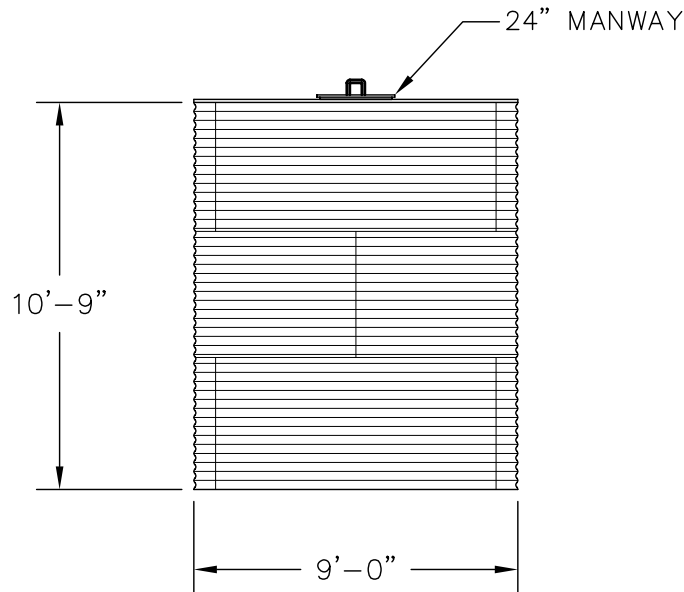



PLAN



ELEVATION

 <b>WATER STORAGE TANKS, INC.</b> 1-800-463-1898 www.corgaltanks.com		BY	DATE	TITLE		
	DWN	IU	5/20/08	MODEL 0903-WT-SAP-HR		
	CKD	JH	5/20/08	COR GAL STEEL WATER STORAGE TANK NORMINAL CAPACITY - 4,900 GALLONS (U.S.)		
	ENG	JH	5/20/08	DWG. NO.	REV. NO.	
THE DRAWING DEPICTED ON THIS PRINT AND THE INFORMATION CONTAINED HEREIN ARE PROPRIETARY TO Water Storage Tanks, Inc. AND SHALL NOT BE USED IN WHOLE OR PART WITHOUT THE WRITTEN CONSENT OF Water Storage Tanks, Inc.				0903-WT-SAP-HR		A
				SIZE	SCALE	SHEET
				A	3/16"=1'-0"	1 OF 1